



TIRE PRESSURE SYSTEMS

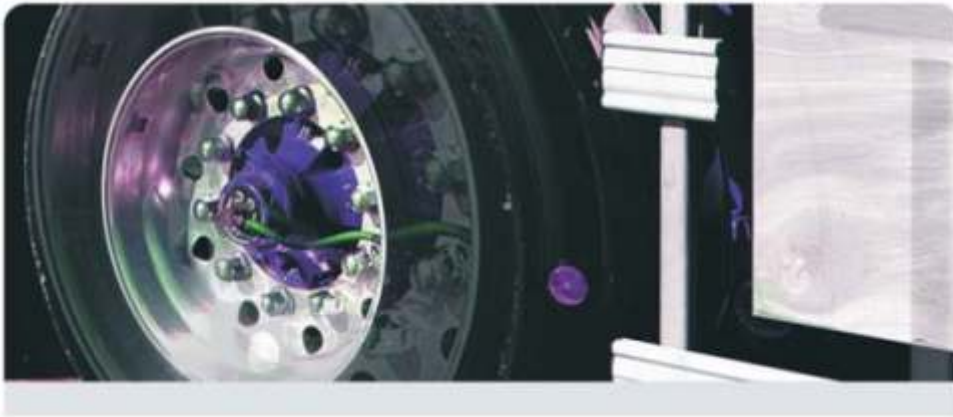
**NM253 - NM343 - NM244
EXTERNAL SYSTEMS**

PARTS CATALOGUE

VERSION 1-2018

ORDER ON-LINE

www.vigia.ca / 1-888 438-8444



VIGIA INTERNAL SYSTEMS

EXCLUSIVE FOR TRAILERS

VIGIA NM 249

- Self-contained and designed to operate independently on any trailer configuration or make.
- VIGIA can be installed to steering trailer axles and lift-steering axles.
- Driver is informed at all times about the status of tires and system via LEDs mounted in the trailer.
- Air to the tires is supplied through conduits inside the axle so no lines are externally visible.
- Exclusive and durable VIGIArotors are placed outside the hubcap preventing water and other contaminants from entering the hub.

VIGIA NM 250

- Incorporates a pressure booster for situations where tire pressures must be higher than the vehicle's air tank pressure.

VIGIA NM 248

- Model NM248 is a dedicated system for trailers and requires a tractor equipped with VIGIA System.



VIGIA EXTERNAL SYSTEMS

FOR TRUCKS-TRAILERS-BUSES

VIGIA NM 253

- External system with opto-electronic sensors.
- Drive and steering tires independently monitored.
- Analog cab-mounted control panel.
- Optional communication to remote location via telematics systems.

VIGIA NM 343

- External system with opto-electronic sensors.
- Drive and steering tires independently monitored.
- Digital cab-mounted control panel.
- Communication to remote location via telematics systems.

VIGIA NM 244

- External system exclusive for trailers.
- Self-contained and designed to operate independently on any trailer configuration or make.
- Driver is informed at all times about the status of tires and system via LEDs mounted in the trailer.





IMPORTANT

Installation, disassembly, repairs and maintenance of the VIGIA Tire Pressure Systems must be performed only by a certified mechanic with specific knowledge in the installation of VIGIA Systems. Certified mechanic must use proper protective equipment when installing, repairing and maintaining the VIGIA systems.

Improper installation or use of unauthorized parts can cause malfunctions, loss of tire pressure and other consequences which may result in serious injury or death.

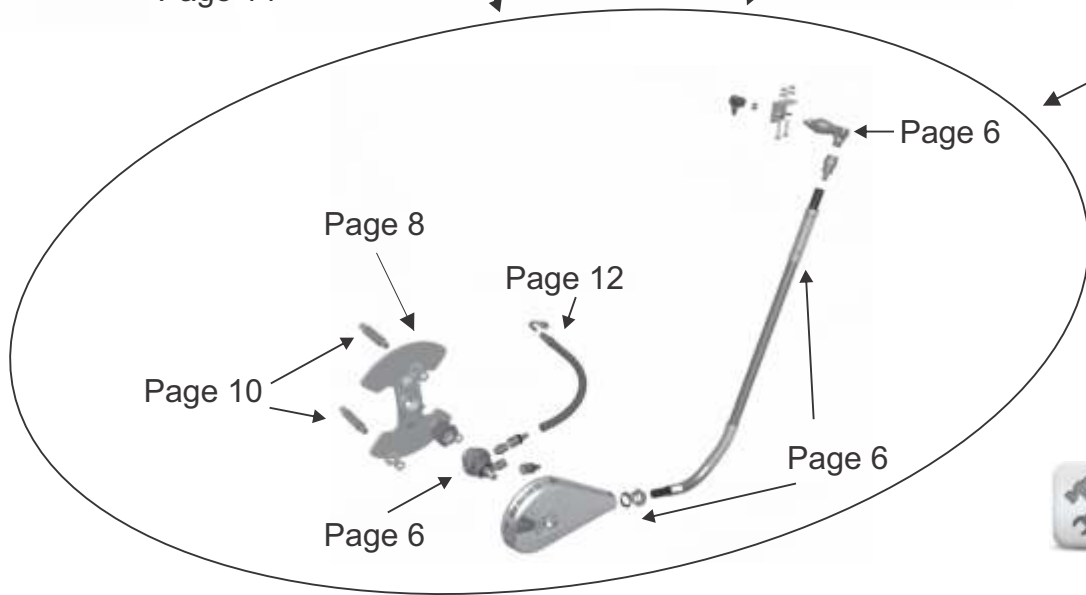
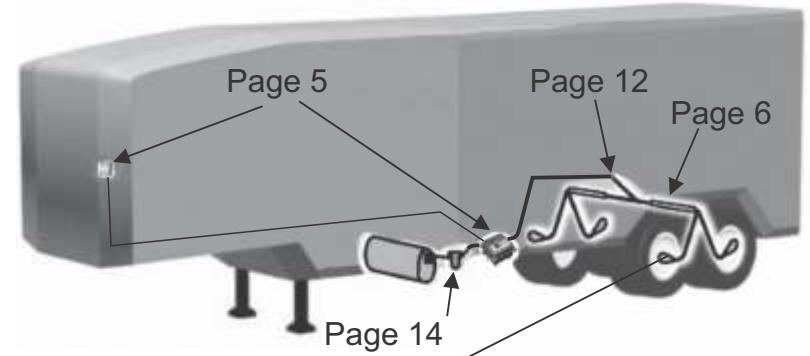
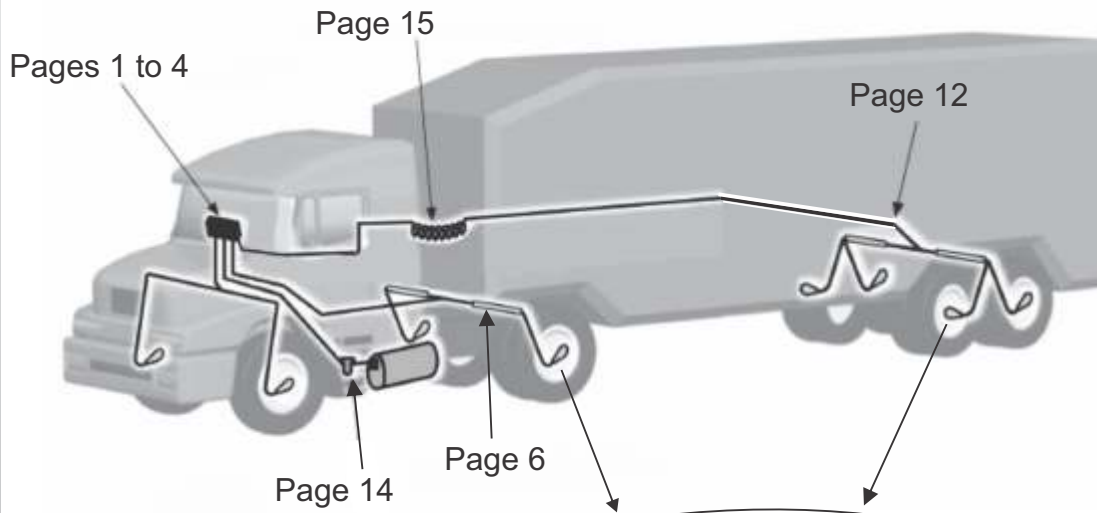
Manufacturer or Distributor will not be responsible for injuries resulting from misuse of equipment, use contrary to operating instructions or installation by any person other than an Authorized Installer.

VIGIA is a ISO 9002 certified product



NM253 - NM343

NM244

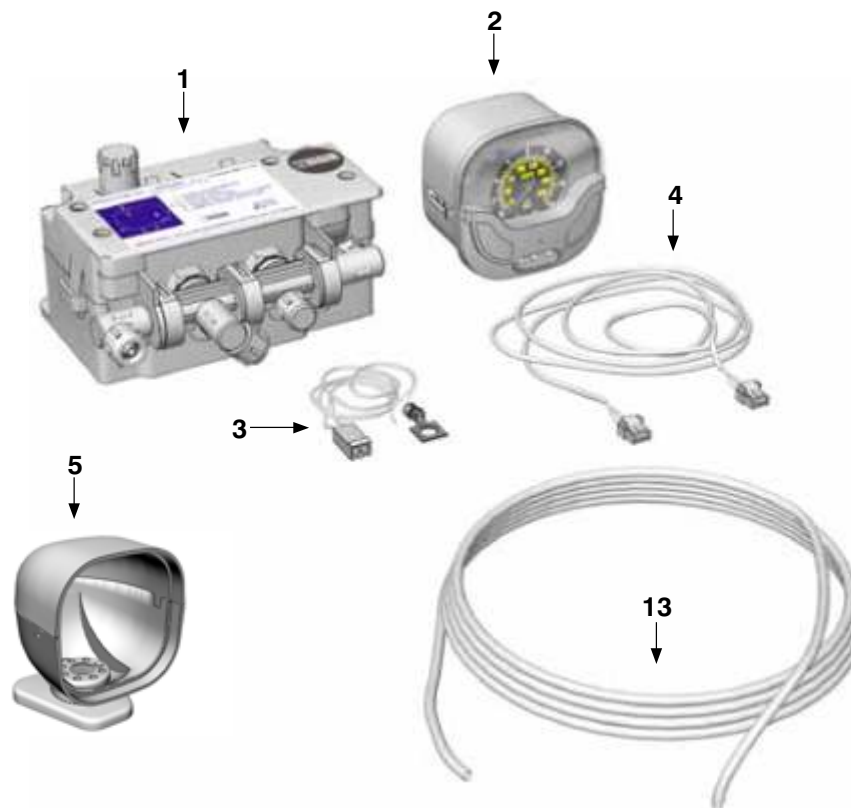


Previous Vigia Versions: Page 17 - 19



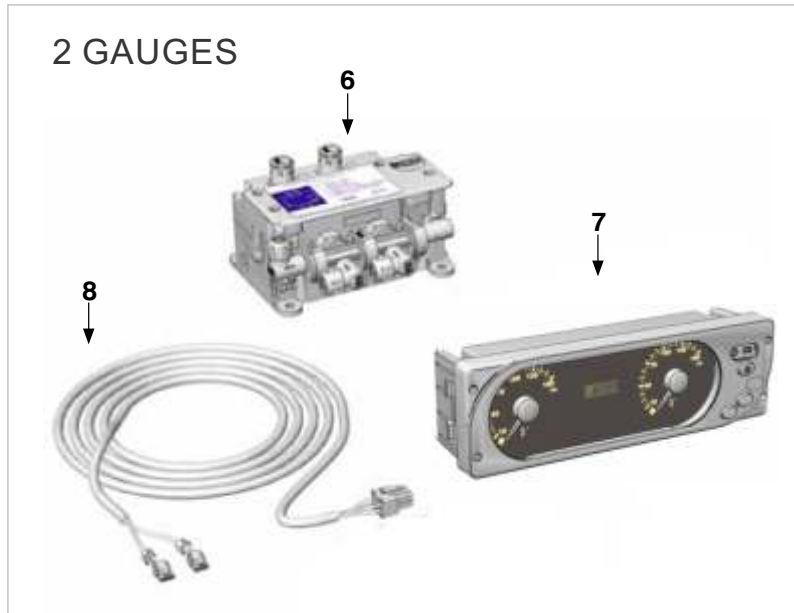
Tools: Page 16

CONTROL AND DISPLAY MODULES NM243 - 1 GAUGE

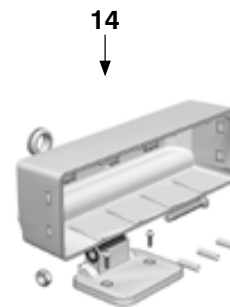
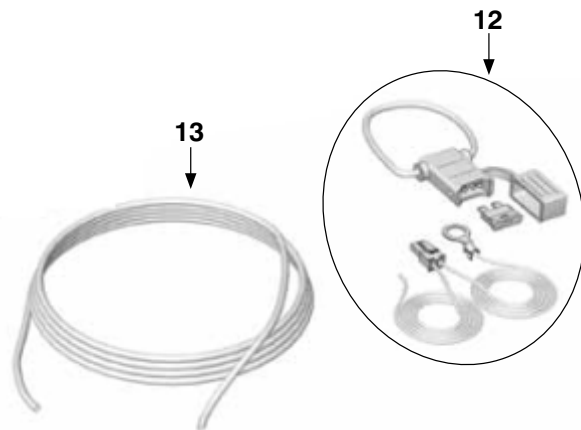
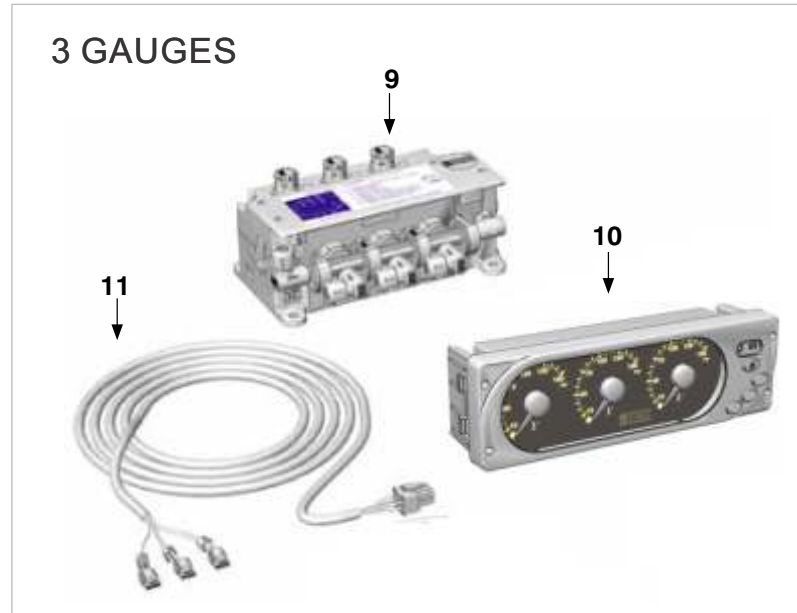


CONTROL AND DISPLAY MODULES NM253 - 2 AND 3 GAUGES

2 GAUGES

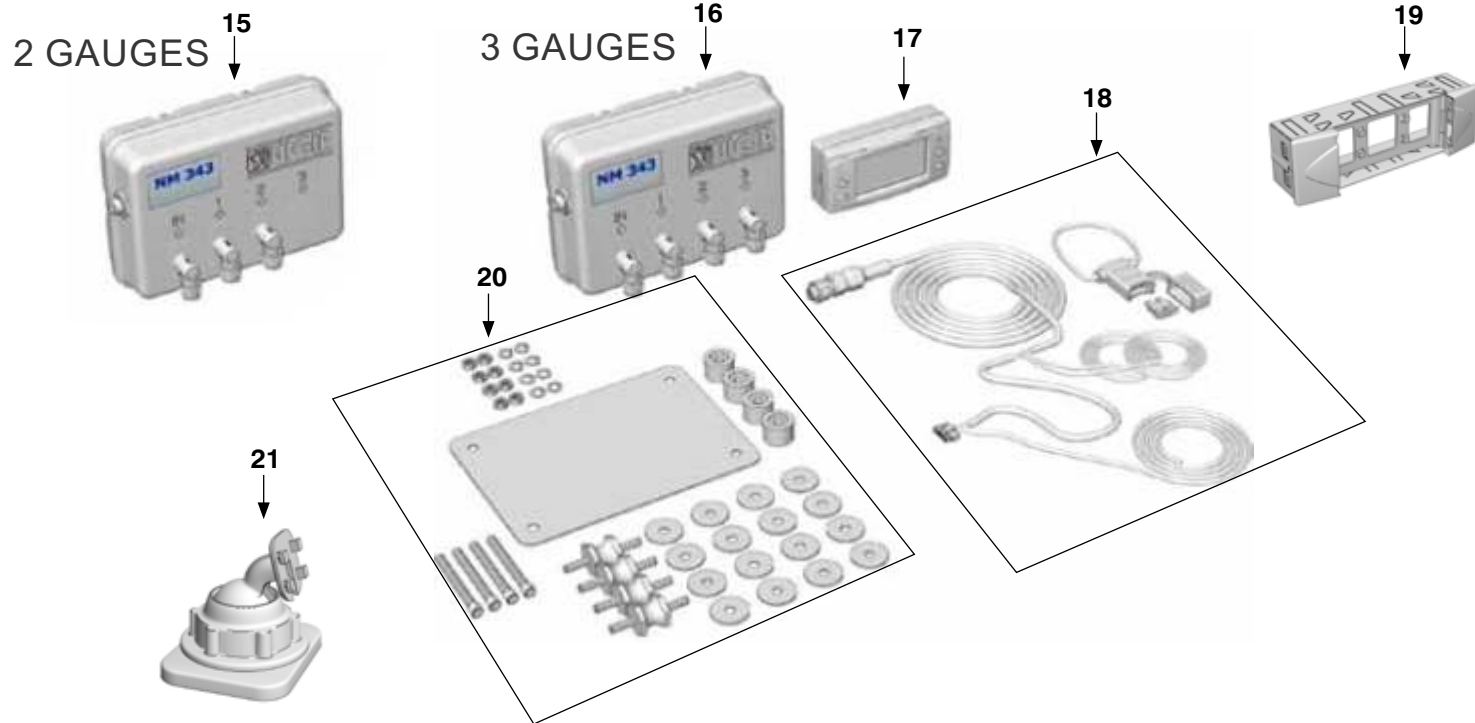


3 GAUGES



CONTROL AND DISPLAY MODULES

NM343



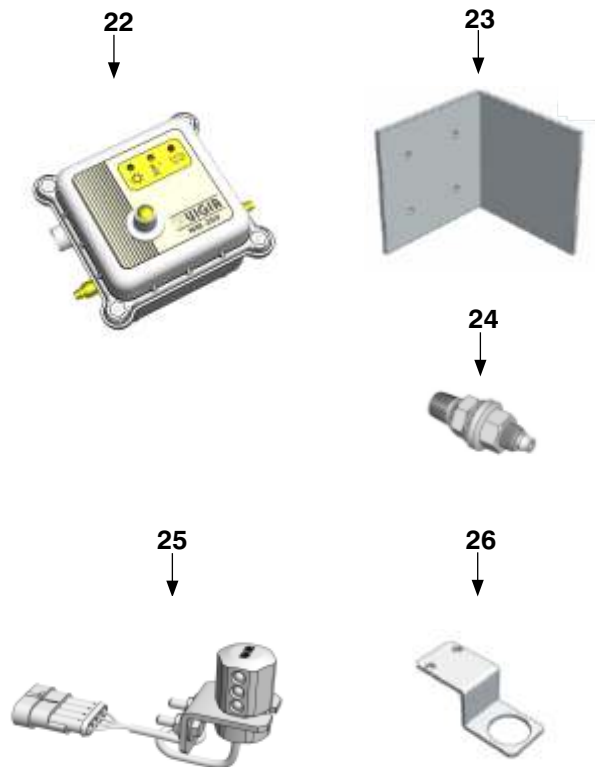
CONTROL AND DISPLAY MODULES

CODE	Description
NM243 - 1 GAUGE	
1 X2431.A115-8 X2431.A116-0	One Gauge Control Module NM243 - 12V One Gauge Control Module NM243 - 24V
2 X2430.A108-4	One Gauge Display Module NM243
3 E2430.A001-8	Power Input 1 Gauge NM243
4 E2430.A004-1	One Gauge Electrical Connection NM243
5 X2435.A005-3	Support case with base NM243
NM253 - 2 AND 3 GAUGES	
6 X2530.A002-0 X2530.A004-1	Two Gauge Control Module NM253 - 12V Two Gauge Control Module NM253 - 24V
7 X2530.A022-3	Two Gauge Display Module NM253
8 E2530.A003-2	Two Gauge Electrical Connection NM253
9 X2530.A003-2 X2530.A005-3	Three Gauge Control Module NM253 - 12V Three Gauge Control Module NM253 - 24V
10 X2530.A023-5	Three Gauge Display Module NM53
11 E2530.A001-8	Three Gauge Electrical Connection NM253
12 E2530.A002-0	Power Input 2-3 Gauges NM253
13 X9201.A039-7	Hose Ø 4 mm for NM253
14 X2530.A010-9	Support case with base NM253

CODE	Description
NM343	
15 X3430.A021-2 X3430.A023-6	Two Gauge Control Module NM343 - 12V Two Gauge Control Module NM343 - 24V
16 X3430.A022-4 X3430.A024-8	Three Gauge Control Module NM343 - 12V Three Gauge Control Module NM343 - 24V
17 X3430.A014-5	Display Module NM343
18 E3430.A002-0	Interface and Electrical Connection NM343
19 X3430.A028-3	Support case DIN NM343
20 X3430.A015-7	Support Kit for Control Module NM343
21 X3430.A016-9	Support case with base NM343

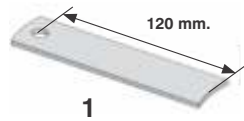
CONTROL MODULE NM244

NM244



CODE	Description
22 X2490.A068-1	Control module NM269 - 12 V
23 X2490.A012-0	Support for control module NM269
24 X1411.A037-1	Shredded valve 5/16"
25 X2490.A083-0	LED housing - 12 V
26 X2490.A037-3	Support "S" for LED housing

BODY TO ROTOR



20



21



BODY TO ROTOR

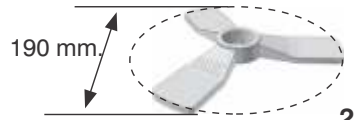
CODE	Description
1 X1417.A022-4	Bracket for Body Coupling 120 mm
2 X1417.A038-6	Bracket Stainless Steel 21 x 10 mm
3 X1417.A039-8	Bracket Stainless Steel 21 x 60 mm
4 X2433.A147-9	Standard Body Coupling 5/16"
5 X2433.A102-0	Double Outlet Body Coupling 5/16"
6 X2433.A103-2	Nipple for Body Coupling
7 X2433.A123-8	Quick Connect Body Coupling 5/16"
8 X2433.A121-4	Nipple for Quick Connect Body Coupling
9 X2433.A095-3	Spring 15 x 90 mm - Stainless Steel
10 X2433.A089-8	Stainless Steel Pipe 35 cm (13 3/4")
X2433.A135-2	Stainless Steel Pipe 50 cm (19 11/16")
X2433.A091-8	Stainless Steel Pipe 60 cm (23 5/8")
X2433.A092-0	Stainless Steel Pipe 70 cm (27 9/16")
X2433.A093-2	Stainless Steel Pipe 95 cm (37 3/8")
11 X9201.A020-2	Hose Push-Lok
12 X2433.A104-4	End Hose Connector to Rotor

CODE	Description
13 X2433.A111-1	Bend for Rotor Cover - Stainless Steel.
14 X2433.A097-7	Tightening Nut 3/8" for Rotor Cover
15 X1413.A072-4	Plastic Washer for Rotor Cover
16 X1413.A070-0	Rotor Cover Grey
X1413.A066-9	Rotor Cover Chrome
17 X2433.A056-6	Adjustable Body Coupling Mounting Pipe
18 X9402.A112-3	Bolt NF 5/8" x 2 1/2" Bored Ø 6.25 mm
19 X4434.A062-2	Rotor NPT 3/4" Metallic
20 X2442.A019-1	Nipple for Rotor M11 x 1/2
21 X4434.A027-0	Plug for Rotor M11 x 1/2

ROTOR MOUNTINGS



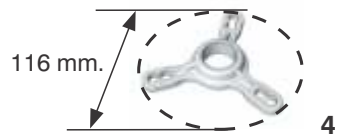
1



2



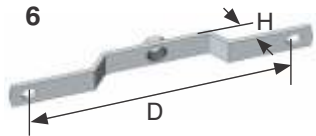
3



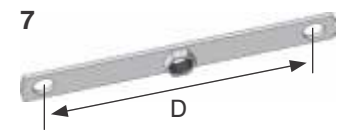
4



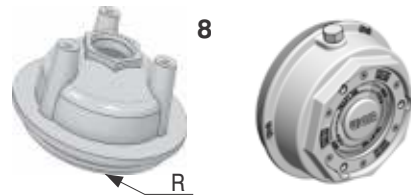
5



6



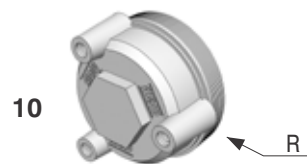
7



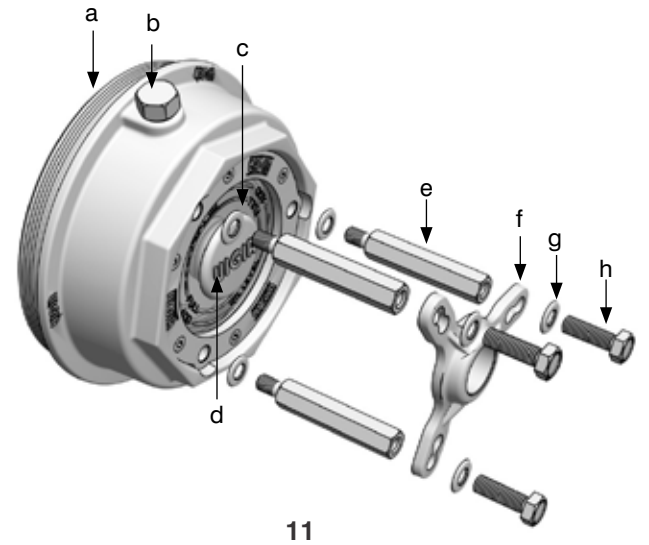
8



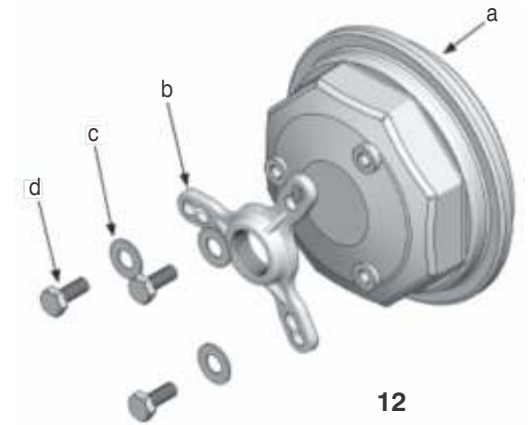
9



10



11



12

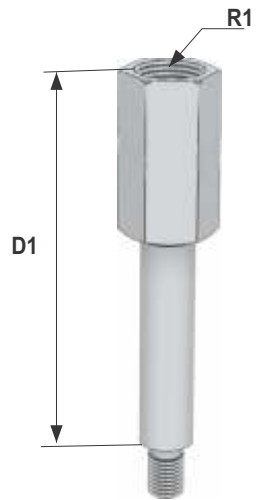
ROTOR MOUNTINGS

CODE	Description	D-R
1 X1416.A050-2 X1416.A407-4 X1416.A064-0	Disc Aluminum Disc Aluminum Chrome Disc Aluminum	215 mm 215 mm 275 mm
2 X1416.A092-5	Star	190 mm
3 X1416.A351-3	Star pre-drilled at 115, 114 and 148 mm	170 mm
4 X1416.A488-4	Star pre-drilled at 80 and 99 mm	116 mm
5 X1416.A413-2	Threaded Hub Cap	128 x 2.00
6 X1416.A511-2 X1416.A510-0	Rotor Mounting for 10-nut Wheel Rotor Mounting for 10-nut Wheel	285 x 21 mm 335 x 41 mm
7 X1416.A159-1 X1416.A416-5	Flat Rotor Mounting for 10-nut Wheel Flat Rotor Mounting for 10-nut Wheel	285 mm 335 mm
8 X1416.A489-6 X1416.A000-0	Threaded Hub Cap Threaded Hub Cap	6 1/4" x 8 115 x 2
9 X1416.A067-6	Inspection Plug	
10 X1416.A060-5 X1416.A074-3 X1416.A075-5 X1416.A061-7	Threaded Hub Cap Threaded Hub Cap Threaded Hub Cap Threaded Hub Cap	90 x 1.50 80 x 1.50 70 x 1.50 3 3/8" x 16

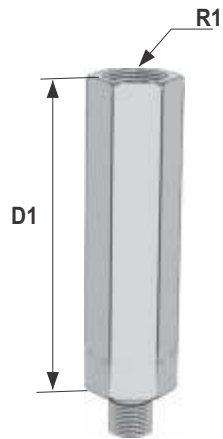
CODE	Description	Qty.
11 X1416.A491-6	Rotor mounting kit for threaded hub cap 6 1/4" x 8.	
a	X1416.A489-6	1
b	X1416.A504-2	1
c	X2442.A262-0	1
d	X1416.A067-6	1
e	X1416.A490-4	3
f	X1416.A488-4	1
g	X9404.A108-0	3
h	X9402.A017-9	3

CODE	Description	Qty.
12 X1416.A414-1	Rotor mounting kit for threaded hub cap Ø 128 mm x 2.00 mm.	
a	X1416.A413-2	1
b	X1416.A488-4	1
c	X9404.A108-0	3
d	X9402.A017-9	3

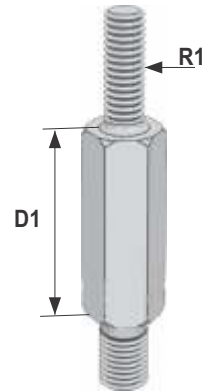
STUD BOLTS - EXTENSIONS



1



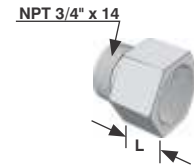
2



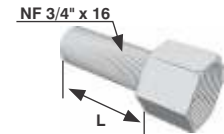
3



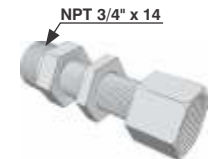
4



5



6



7



8



9



10

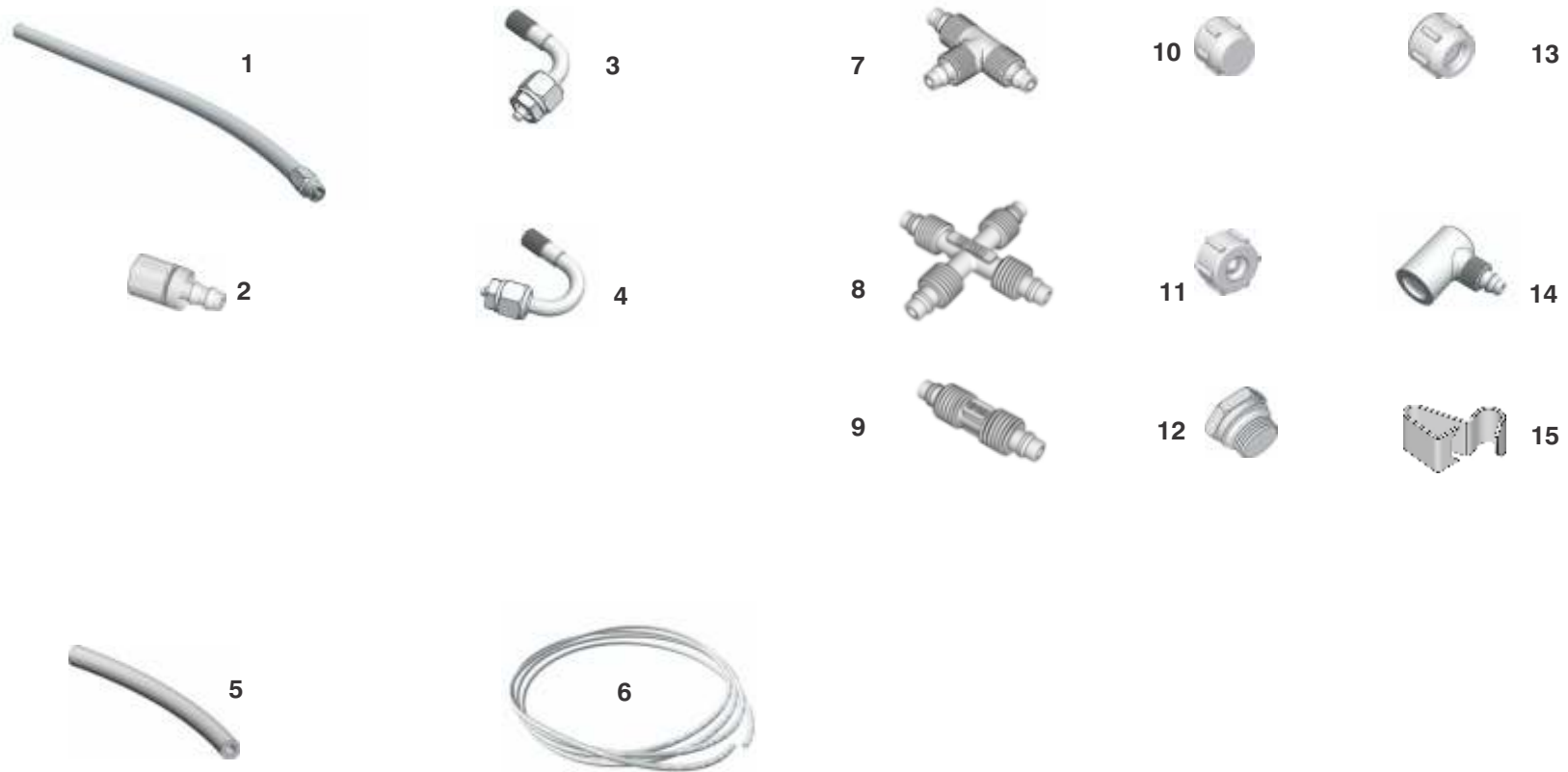
STUD BOLTS - EXTENSIONS

CODE	R1	D1
1 X1416.A026-5	5/8"x18	80
X1416.A032-0	9/16"x18	85
X1416.A033-2	3/4"x16	95
X1416.A147-4	5/8"x18	170
2 X1416.A267-1	5/8"x18	60
X1416.A440-2	3/4"x16	60
X1416.A456-4	5/8"x18	80
X1416.A457-6	9/16"x18	85
X1416.A458-8	3/4"x16	95
X1416.A368-7	3/4"x16	80
3 X1416.A011-5	5/16"x18	30
X1416.A012-7	5/16"x18	40
X1416.A020-6	5/16"x18	130
X1416.A039-1	5/16"x18	50
X1416.A044-7	5/16"x18	70
X1416.A128-0	5/16"x18	8
X1416.A347-2	5/16"x18	105
X1416.A049-4	10x1.50	30

CODE	Description	L	R
4 X1416.A126-9	Stud bolt extension.	20 mm.	
X1416.A034-4	Stud bolt extension	30 mm.	
X1416.A045-9	Stud bolt extension.	45 mm.	
X1416.A016-2	Stud bolt extension.	60 mm.	
5 X1416.A058-5	Rotor mounting extension.	20 mm.	NPT 3/4"x14
6 X1416.A070-8	Adjustable rotor mounting.	50 mm.	NF 3/4"x16
7 X1416.A071-0	Adjustable rotor mounting extension set.	-	NPT 3/4"x14
8 X1416.A069-0	Reducer NPT 3/4" to NF 3/4".	-	NPT 3/4"x14

CODE	Description
9 X9404.A109-2	Washer 3/8".
10 X1412.A006-0	Nut 3/8".

TIRE VALVES - HOSES - CONNECTORS - PLUGS



TIRE VALVES - HOSES - CONNECTORS - PLUGS

CODE	Description
1 X2442.A122-7 X2442.A123-9	Hose and Tire Valve 50 cm Hose and Tire Valve 30 cm
2 X2433.A104-4	End Hose Connector to Rotor
3 X2442.A176-4	Outside Tire Connector "L"
4 X2442.A177-6	Outside Tire Connector "U"
5 X9201.A020-2	Hose Push-Lok
6 X9201.A038-5	Hose Vigia HY Ø 5/16"

CODE	Description
7 X1414.A020-5	T Joint 5/16"
8 X1414.A034-3	Cross Joint 5/16"
9 X1414.A033-1	Straight Joint 5/16"
10 X1412.A023-0	Plug NF 7/16"
11 X2433.A016-7	Plug ½" for Body Couplings
12 X4434.A027-0	Plug for Rotor M11 x ½"
13 X1414.A016-1	5/16" Hose Fastening Nut
14 X1413.A019-0	Elbow Connector 7/16" x 5/16"
15 X9301.A019-0	Frame Clamp 5/16"

AIR FILTERS



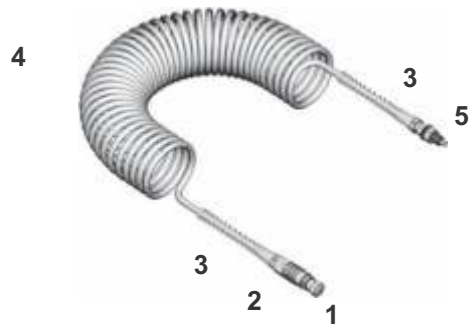
CODE	Description
X1419.A200-3	Air filter kit 5/16" .
X1419.A005-5	Filter element.
X9601.A004-1	O-ring 2-030 N3000 7A (for air filter)
X3001.A033-8	Adaptor 1/2" to 5/16"
X1413.A042-8	Elbow Connector 3/8" x 5/16"
X1414.A018-5	Connector NPT 1/8" x 5/16"

NM244 ONLY



X2490.A007-7	Air filter kit - Festo
X2431.A045-0	Protection valve
X2431.A047-4	Protection valve adapter to NPT 1/8"
X2431.A050-6	Protection valve adapter to NPT 1/2"
X2431.A051-8	Protection valve adapter to NPT 3/8"
X2431.A106-7	Protection valve adapter to NPT 1/4"
X2431.A107-9	Protection valve adapter to NPT 3/4"

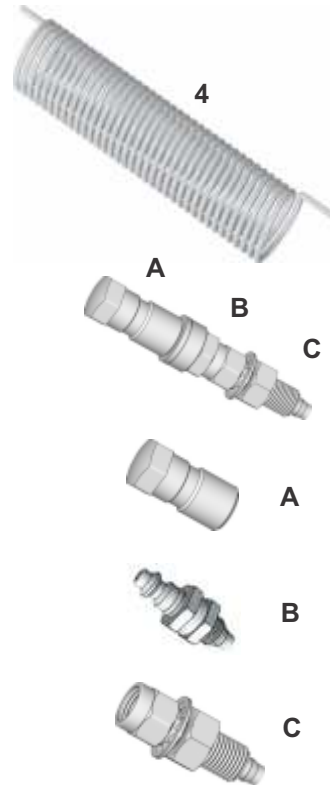
TRACTOR-TRAILER QUICK-COUPLING ASSEMBLY



CODE	Description
X2433.A124-0	Tractor-Trailer quick-connect set 5/16".



CODE	Description
X2433.A118-2	Plug for quick connection valve 5/16".
X2433.A120-2	Quick connection valve 5/16".
X1411.A041-5	Connection valve spring 5/16" w/nut.
X1411.A036-2	Connection valve mounting 5/16".
X1411.A030-0	5/16" frame joint.



CODE	Description
X9201.A016-8	Spiral hose Ø 5/16".
X2433.A065-7	Fixed quick-connect valve set 5/16".
X2433.A117-0	Cap for fixed connection valve 5/16".
X2433.A119-4	Nipple for fixed connection valve 5/16".
X2433.A070-0	Fixed quick connection valve 5/16".

TOOLS

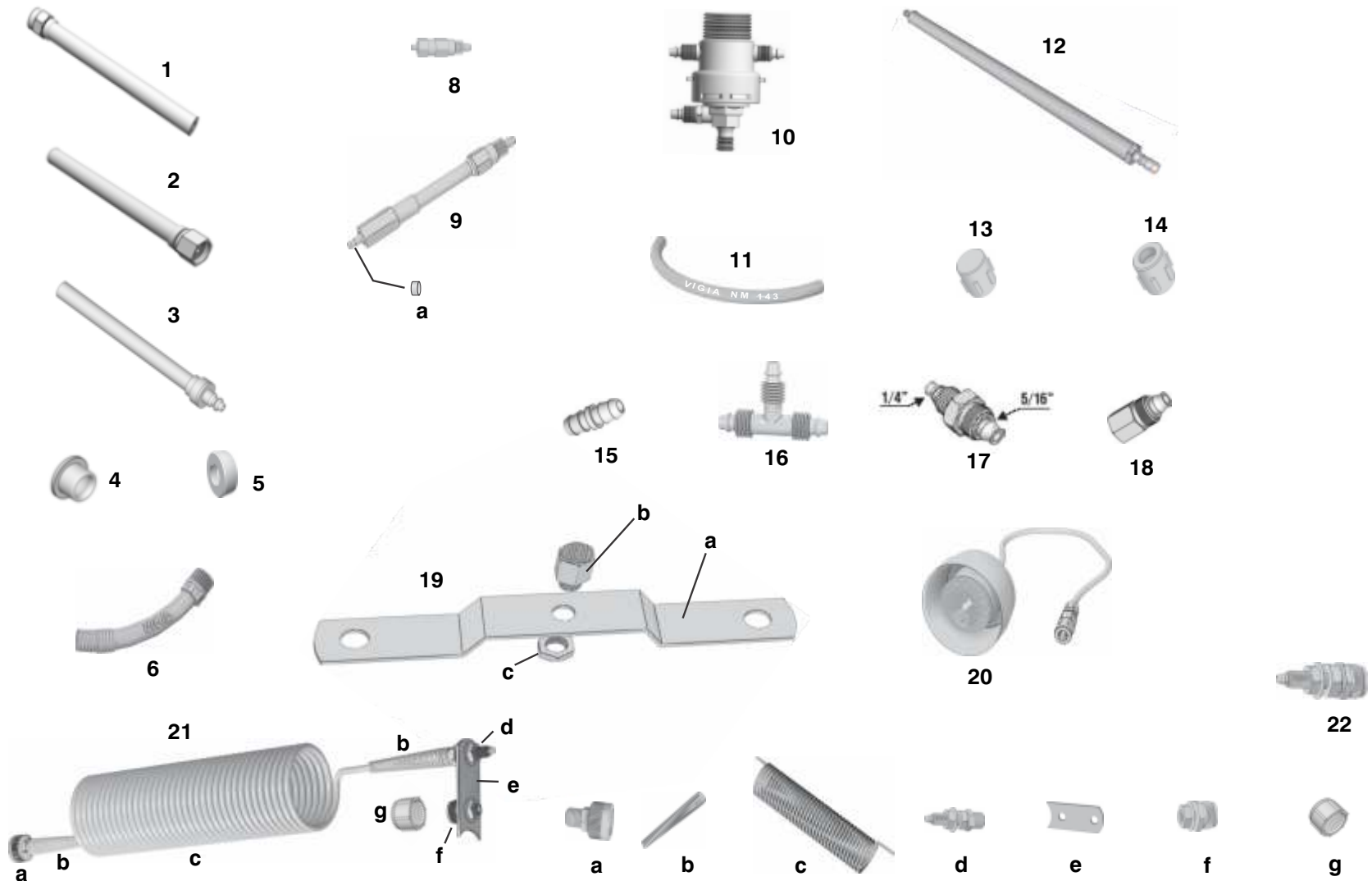


CODE

Description

1 X1418.A187-4	Tire pressure gauge
2 X3430.A029-5	Calibration Tool NM343
3 X2530.A001-8	Display Module NM253 Remover
4 X1418.A006-0	Short valve tool.
5 X1418.A004-9	Long valve core remover.
6 X1418.A005-1	Long valve stem threader tool.
7 X2490.A011-1	Template for Control Module NM244
X9911.A006-1	VIGIA T shirt L.
X9911.A084-5	VIGIA Jacket M.
X9911.A085-7	VIGIA Jacket L.

PREVIOUS VIGIA VERSIONS



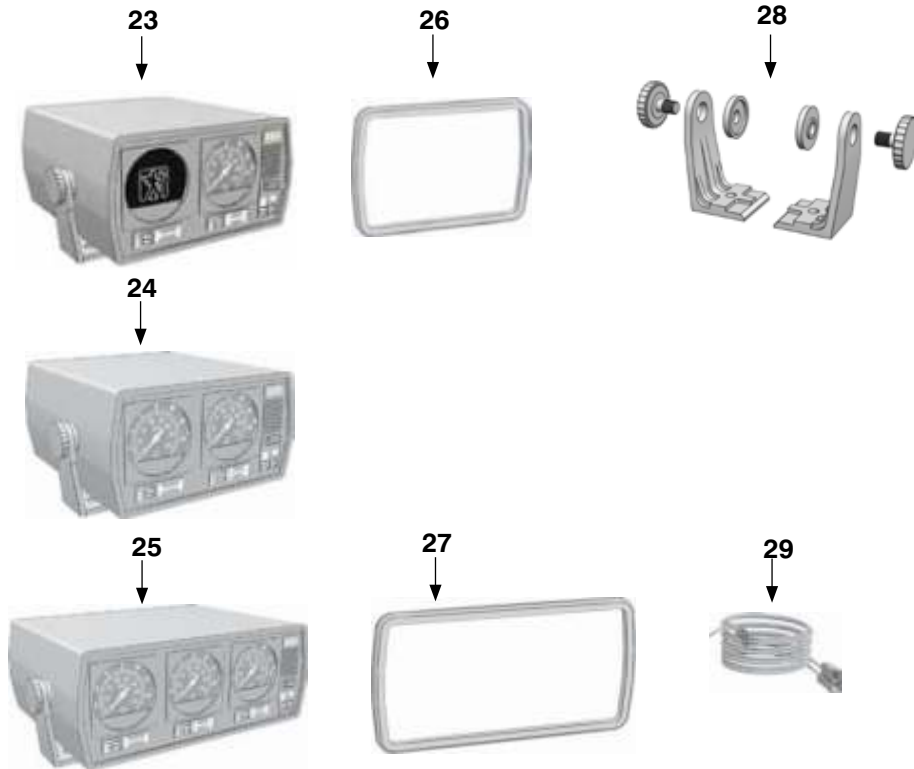
PREVIOUS VIGIA VERSIONS

CODE	Description
1 X2433.A047-5	Top rubber connector.
2 X2433.A108-2	Bottom rubber connector.
3 X2433.A058-0	Top rubber connector for quick connect
4 X2433.A109-1	1/4" locking rivet.
5 X2433.A010-8	Plastic ring.
6 X1413.A069-2	Bend for rotor cover - grey.
8 X1411.A038-3	Short tire valve.
9 X1411.A040-3	Long tire valve.
9a X1411.A007-5	Tire valve o-ring.
10 X2432.A001-0	Rotor.
11 X9201.A024-7	Hose VIGIA HY Ø 1/4".
12 X2433.A045-1	Aluminum pipe 30 cm.
X2433.A042-8	Aluminum pipe 42 cm.
X2433.A043-0	Aluminum pipe 55 cm.
X2433.A044-2	Aluminum pipe 65 cm.
13 X1414.A012-6	Plug 3/8".
14 X1414.A013-8	1/4" hose fastening nut.
15 X3001.A035-2	Straight joint 1/4".

CODE	Description
16 X1414.A015-2	T joint 1/4" plastic.
17 X1414.A022-9	Straight joint 5/16" to 1/4".
18 X3001.A031-4	Adaptor 1/4" to 5/16".
X2433.A079-5	Adaptor 5/16" to 1/4".
19 X1416.A324-0	Rotor mounting kit 285 x 21 mm
19a X1416.A094-9	Rotor mounting 285 x 21 mm
19b X1416.A052-6	Rotor mounting 20 mm
19c X1416.A053-8	Nut NF 3/4"
20 X1418.A007-2	Tire pressure gauge.
21 X2433.A001-7	Tractor-Trailer coupling set 5/16".
21a X1411.A024-5	Connection valve 5/16".
21b X1411.A028-0	Connection valve spring 5/16".
21c X9201.A016-8	Spiral hose Ø 5/16".
21d X1411.A030-0	5/16" frame joint.
21e X1411.A036-2	Connection valve mounting 5/16".
21f X1411.A029-2	Hose end mounting.
21g X1411.A049-8	Connection valve cap.
22 X1411.A023-3	Fixed connection valve 5/16".

CONTROL MODULES NM143

NM143



CODE	Description
23 X1403.A074-0	One gauge Control Panel NM143 12V
24 X1403.A070-5	Two gauge Control Panel NM143 12V
25 X1403.A072-9	Three gauge Control Panel NM143 12V
26 X1403.A058-2	Frame for control panel 1 or 2 gauges
27 X1403.A059-4	Frame for control panel 3 gauges
28 X1403.A101-3	Support for Control Panel NM143
29 E1430.A005-3	Wires for electrical connection - NM143



PARTS CATALOGUE VIGIA NM253 - NM343 - NM244

1-2018



P.O.Box 1352 – 1500 Avenue Road
Toronto, Ontario M5M 0A1
CANADA

COLVEN

Ruta 11 Km.814 - Guadalupe Norte
Prov. de Santa Fe (S3574XAB)
ARGENTINA

ORDER ON-LINE

www.vigia.ca / 1-888 438-8444